

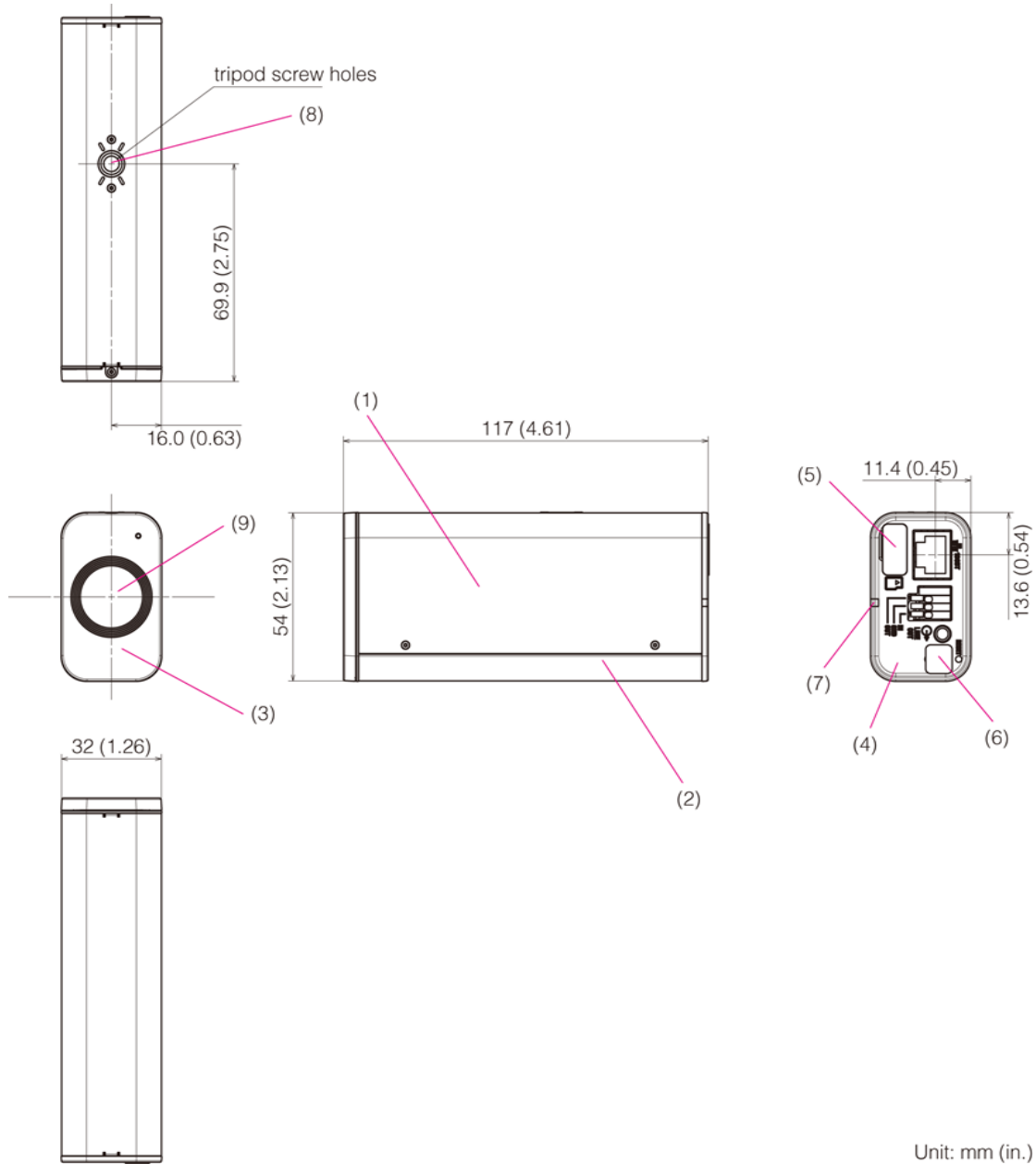
**Camera Specifications**

External Views/Specification & Materials

**Network Camera**

**VB-S910F**

The exterior size, specifications, external materials, are as follows.



**Specification**

Dimensions	(H x W x D) 54 x 32 x 117 mm (2.13 x 1.26 x 4.61 in.)
Weight	Approx. 180 g (6.4 oz.)

**External Materials**

Material Abbreviation	
(1)	Electrogalvanized plate (SECC)
(2)	Electrogalvanized plate (SECC)
(3)	Polycarbonate resin (PC)
(4)	Polycarbonate resin (PC)
(5)	Polyurethane elastomer (TPU)
(6)	Polyester elastomer (TPE)
(7)	Polycarbonate resin (PC)
(8)	Die cast zinc (ZDC)
(9)	Acrylic resin (PMMA)
External Color	Titanium White (paint colour) / Black N1.5 (paint colour)