

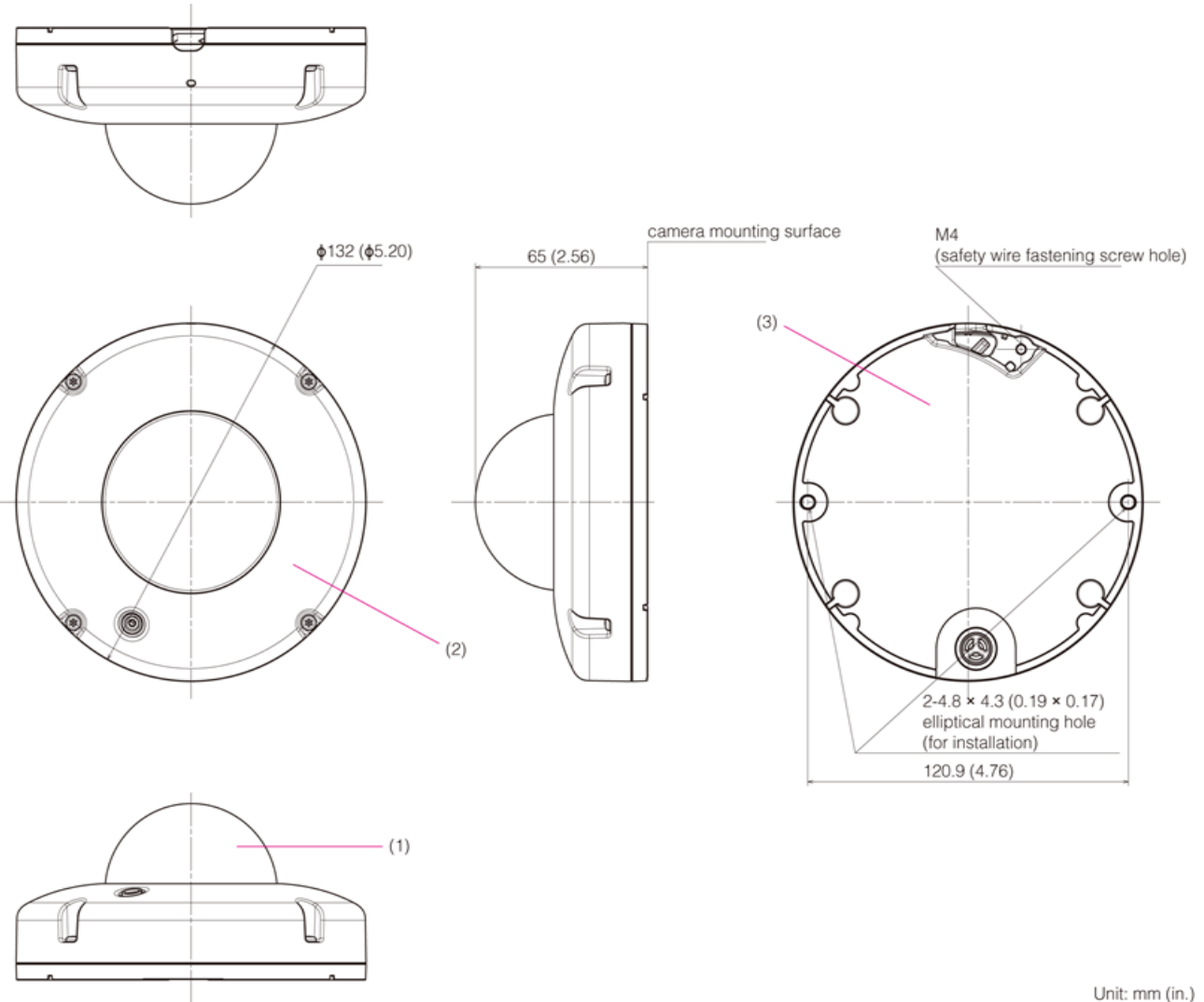
Camera Specifications

External Views/Specification & Materials

Network Camera

VB-S30VE / S800VE

The exterior size, specifications, external materials, are as follows.



Specification

Dimensions	(ϕ x H) $\phi 132$ x 65 mm ($\phi 5.20$ x 2.56 in.) – Camera only
Weight	VB-S30VE Approx. 620 g (21.9 oz.)
	VB-S800VE Approx. 600 g (21.2 oz.)

External Materials

Material Abbreviation

- (1) Polycarbonate resin (PC)
- (2) Die cast aluminum (ADC12)
- (3) Die cast aluminum (ADC12)

External Color Titanium White