

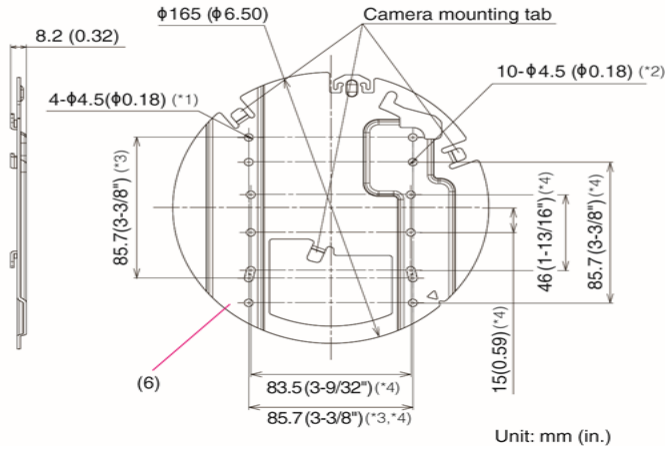
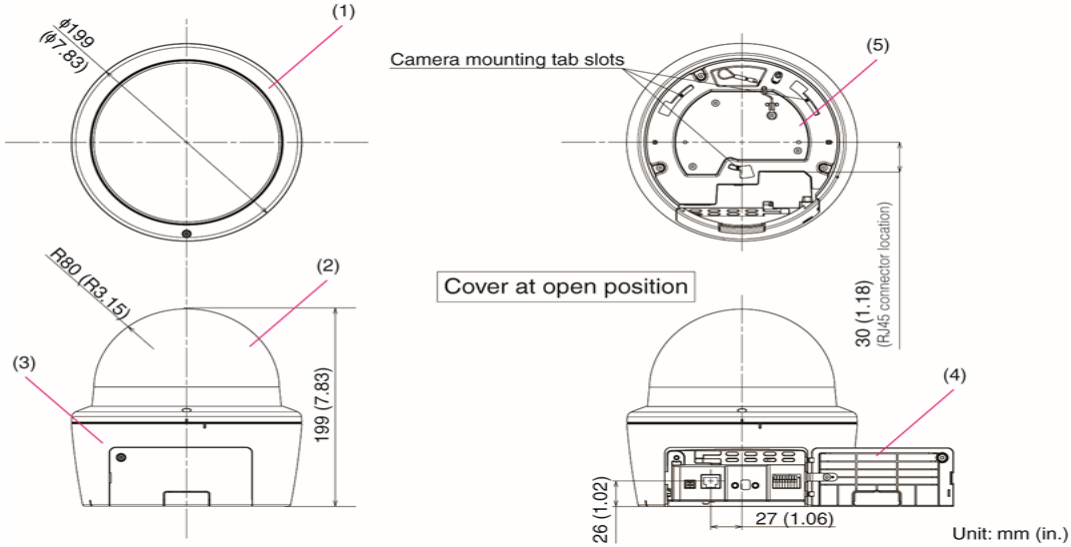
Camera Specifications

External Views/Specification & Materials

Network Camera

VB-R13

The exterior size, specifications, external materials, are as follows.



- *1 Ceiling mount holes
- *2 Junction box fixing holes
- *3 Ceiling mount holes position
- *4 Junction box fixing holes position

Specification

Dimensions	$(\phi \times H) \phi 199 \times 199$ mm ($\phi 7.83 \times 7.83$ in.) – Camera only (excluding Ceiling Plate)
Weight	Approx. 1990 g (4.39 lb.)

External Materials

Component Name	Material Abbreviation
(1) CASE, TOP	Polycarbonate resin (PC)
(2) COVER, DOME	Polycarbonate resin (PC)
(3) CASE, BOTTOM	Polycarbonate resin (PC)
(4) COVER, INTERFACE	Polycarbonate resin (PC)
(5) PLATE, BOTTOM	Electrogalvanized plate (SECC)
(6) PLATE, CEILING	Electrogalvanized plate (SECC)
External Color	Titanium White

– Service parts names used for component names