

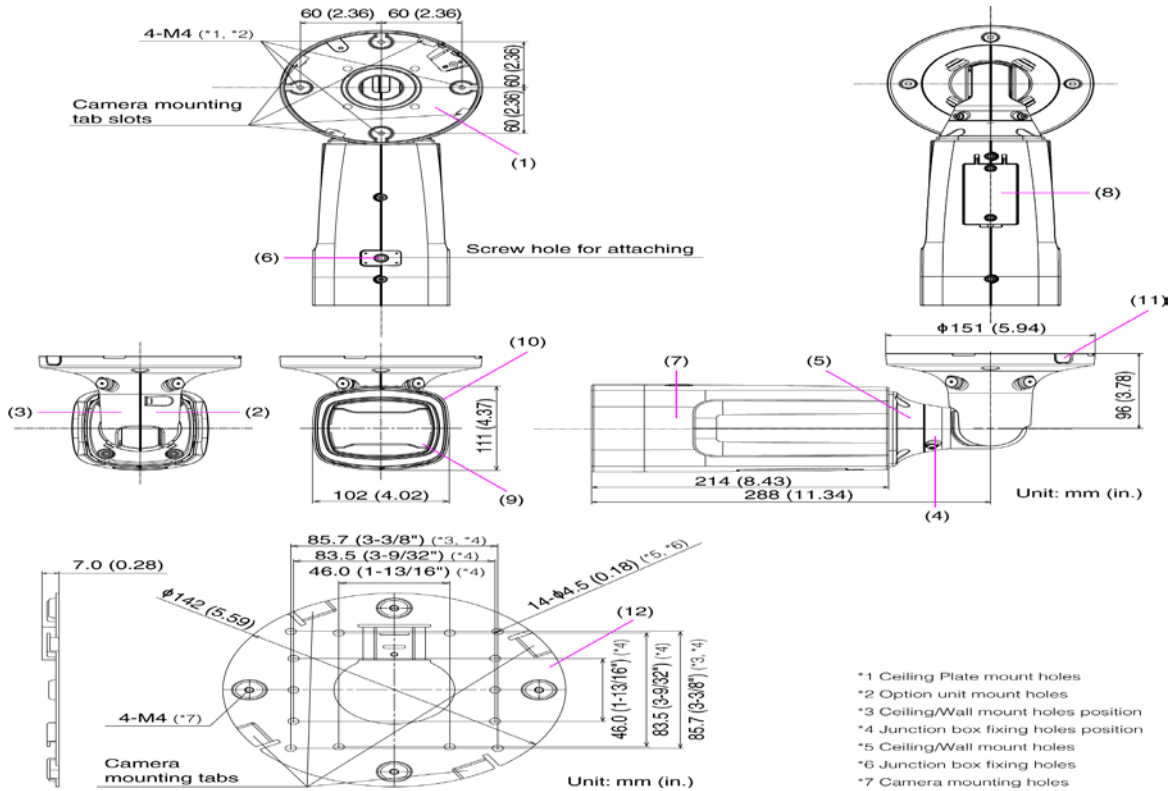
Camera Specifications

External Views/Specification & Materials

Network Camera

VB-M741LE/M740E

The exterior size, specifications, external materials, are as follows.



- \*1 Ceiling Plate mount holes
- \*2 Option unit mount holes
- \*3 Ceiling/Wall mount holes position
- \*4 Junction box fixing holes position
- \*5 Ceiling/Wall mount holes
- \*6 Junction box fixing holes
- \*7 Camera mounting holes

Specification

|            |  |
|------------|--|
| Dimensions | (H x W x D) 111 x 102 x 214 mm (4.37 x 4.02 x 8.43 in.) (camera body only)<br>– Length when joint fully extended (D): 384 mm (15.12 in.) |
| Weight     |  |
| VB-M741LE  | Approx. 2120 g (4.68 lb.)  |
| VB-M740E   | Approx. 2040 g (4.50 lb.)  |

External Materials

| Component Name                          | Material Abbreviation          |
|---|--------------------------------|
| (1) BASE, JOINT                         | Die cast aluminum (ADC12)      |
| (2) COVER, TILT, R                      | Die cast aluminum (ADC12)      |
| (3) COVER, TILT, L                      | Die cast aluminum (ADC12)      |
| (4) COVER, ROTATION R/COVER, ROTATION L | Die cast aluminum (ADC12)      |
| (5) COVER, BACK                         | Die cast aluminum (ADC12)      |
| (6) CASE, MAIN                          | Die cast aluminum (ADC12)      |
| (7) COVER, RIGHT (A/B)/COVER, LEFT      | Polycarbonate resin (PC)       |
| (8) COVER, SD                           | Polycarbonate resin (PC)       |
| (9) COVER, FRONT, WINDOW                | Polycarbonate resin (PC)       |
| (10) COVER, FRONT                       | Polycarbonate resin (PC)       |
| (11) COVER, HOLE                        | Polycarbonate resin (PC)       |
| (12) PLATE, BASE, JOINT                 | Stainless steel plate (SUS304) |
| External Color                          | Titanium White                 |

– Service parts names used for component names