

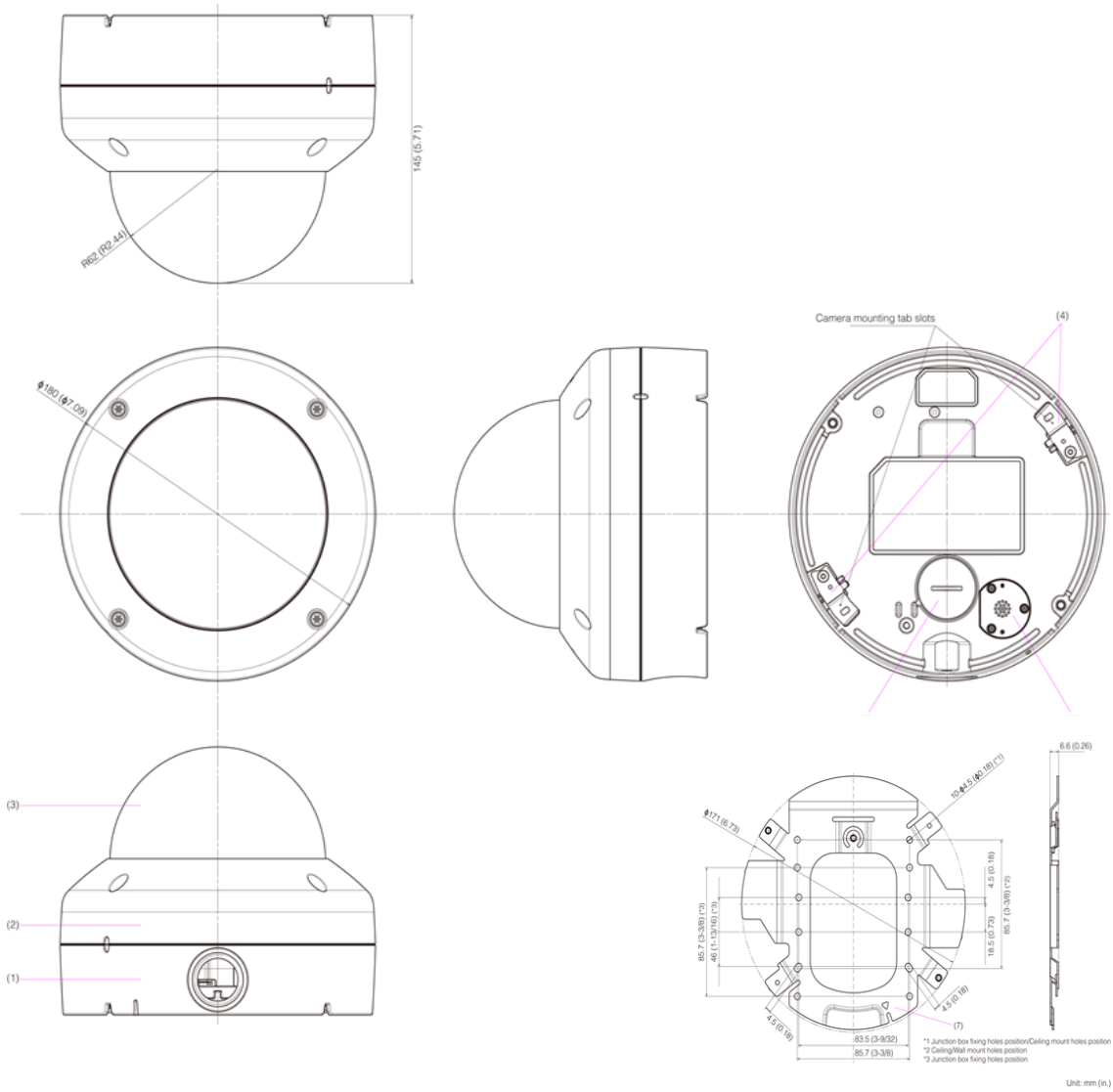
**Camera Specifications**

External Views/Specification & Materials

**Network Camera**

**VB-H652LVE**

The exterior size, specifications, external materials, are as follows.



**Specification**

Dimensions	( $\phi$ x H) $\phi 180$ x 145 mm ( $\phi 7.09$ x 5.71 in.) – Camera only (excluding Ceiling Plate)
Weight (T.B.D.)	Approx. 1850 g (4.08 lb.)

**External Materials**

Material Abbreviation

(1)	Die cast aluminum (ADC12)
(2)	Die cast aluminum (ADC12)
(3)	Polycarbonate resin (PC)
(4)	Stainless steel plate (SUS304-CSP-1/2)
(5)	Polycarbonate resin (PC)
(6)	Stainless steel plate (SUS304-CP)
(7)	Stainless steel plate (SUS304-CP)

External Color Titanium White