

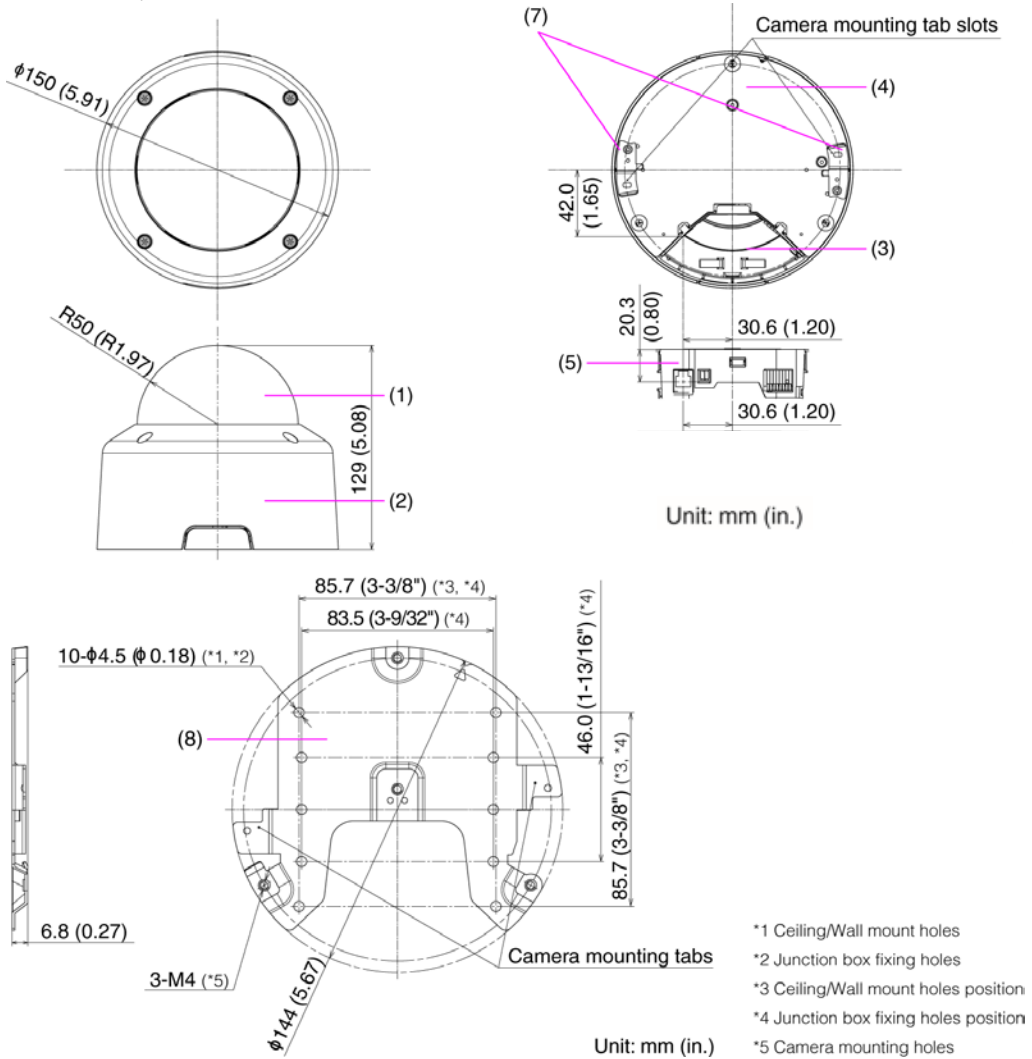
Camera Specifications

External Views/Specification & Materials

Network Camera

VB-H651V

The exterior size, specifications, external materials, are as follows.



Specification

Dimensions	(ϕ x H) ϕ 150 x 129 mm (ϕ 5.91 x 5.08 in.) – Camera only (excluding Ceiling Plate)
Weight	Approx. 890 g (1.97 lb.)

External Materials

Component Name	Material Abbreviation
(1) COVER, DOME	Polycarbonate resin (PC)
(2) CASE, UPPER	Polycarbonate resin (PC)
(3) BASE, MAIN	Polycarbonate resin (PC)
(4) PLATE, BOTTOM	Electrogalvanized plate (SECC)
(5) COVER, CONNECTOR	Polycarbonate resin (PC)
(6) COVER, CONNECTOR	Polyethylene terephthalate (PET)
(7) PLATE, LATCH	Stainless steel plate (SUS304-CSP-1/2)
(8) PLATE, CEILING	Electrogalvanized plate (SECC)
External Color	Titanium White