

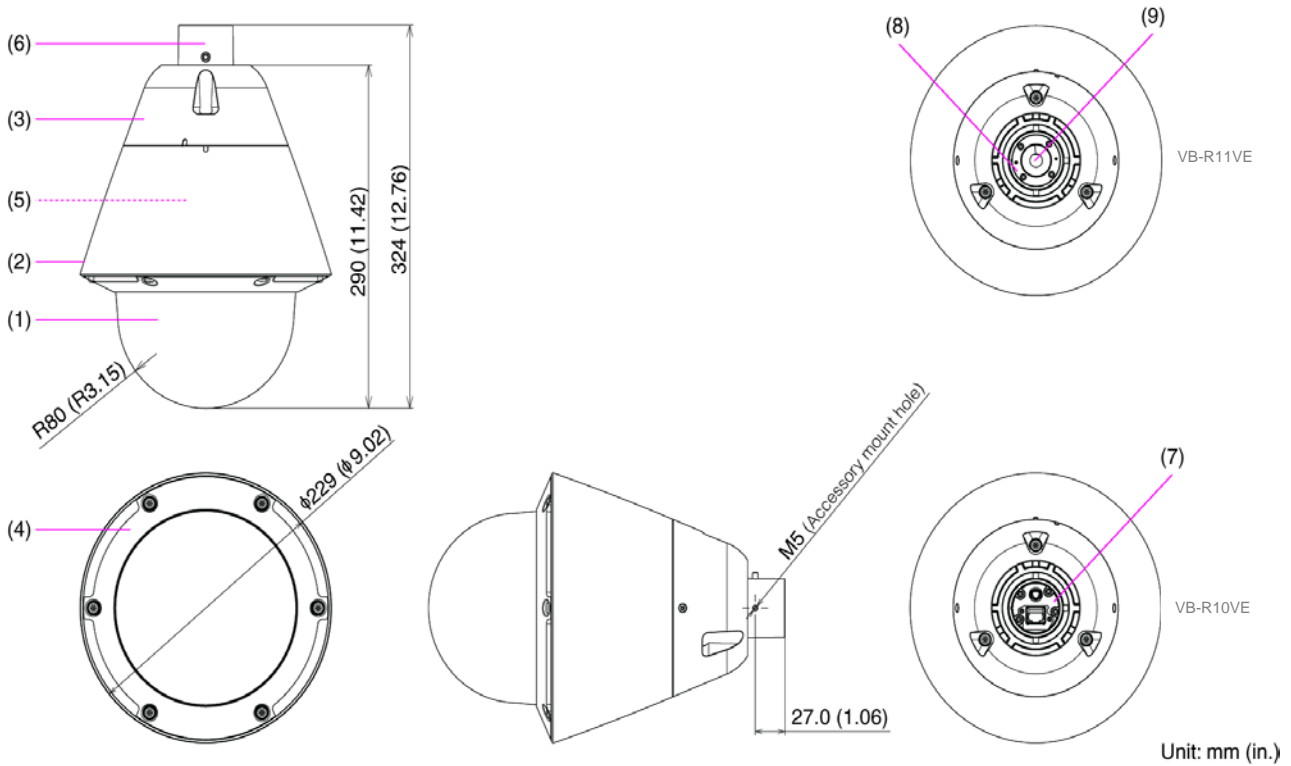
Camera Specifications

External Views/Specification & Materials

Network Camera

VB-R11VE/R10VE

The exterior size, specifications, external materials, are as follows.



Specification

Dimensions	(φ x H) φ229 x 324 mm (φ9.02 x 12.76 in.) – Camera only
Weight	
VB-R11VE	Approx. 3530 g (7.79 lb.)
VB-R10VE	Approx. 3420 g (7.54 lb.)

External Materials

Component Name	Material Abbreviation
(1) COVER, DOME	Polycarbonate resin (PC)
(2) COVER, SUNSHADE	Polycarbonate resin (PC)
(3) COVER, SUNSHADE COVER	Polycarbonate resin (PC)
(4) CASE, TOP	Die cast aluminum (ADC12)
(5) CASE, BOTTOM (Inside the sunshade cover)	Die cast aluminum (ADC12)
(6) CASE, ATTACHMENT	Die cast aluminum (ADC12)
(7) CASE, POE HOLDER	Polycarbonate resin (PC)
(8) PLATE, CABLE PACKING	Stainless steel plate (SUS304)
(9) PACKING, CABLE	Silicone rubber
External Color	Titanium White

– Service parts names used for component names