

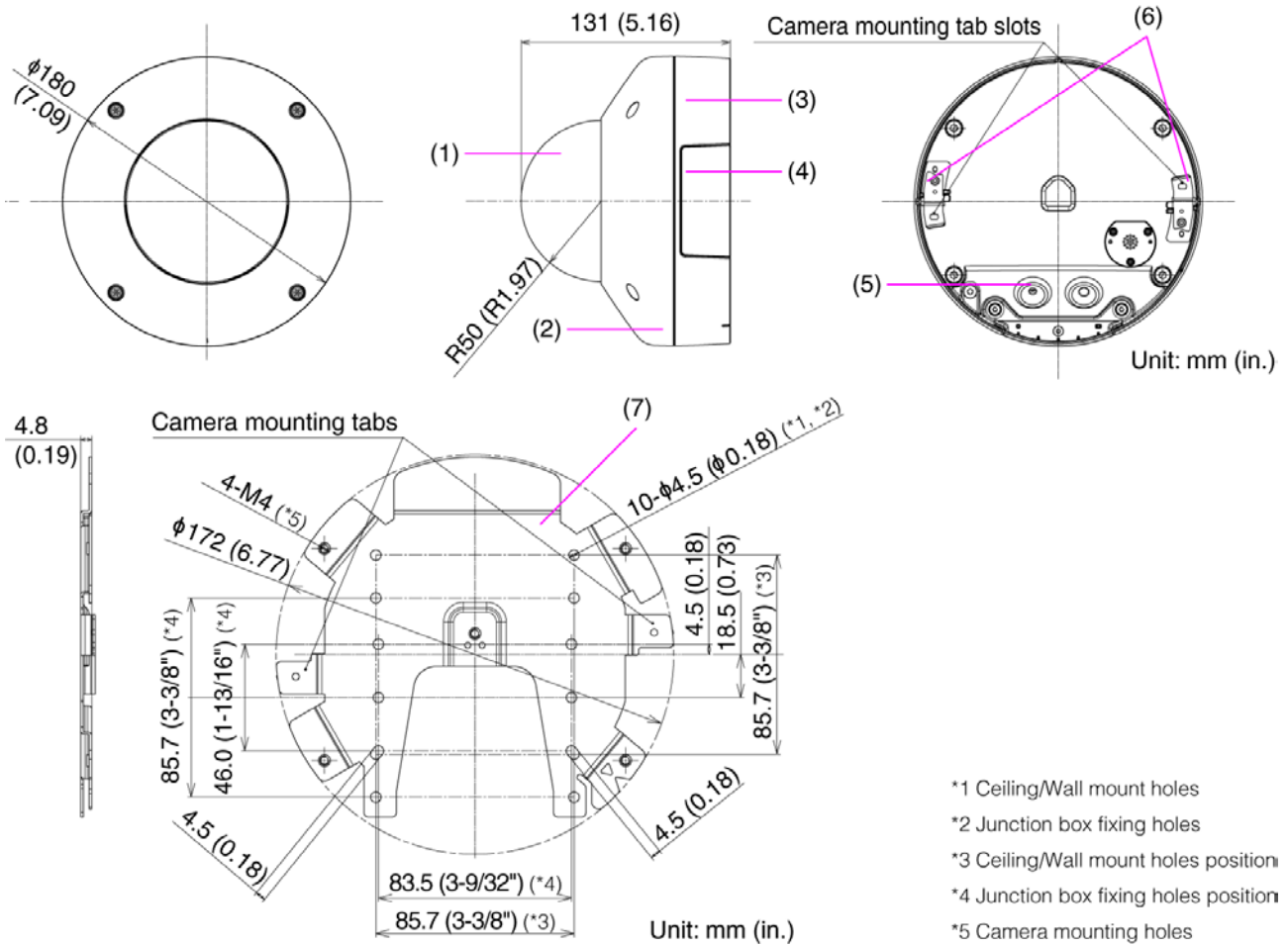
Camera Specifications

External Views/Specification & Materials

Network Camera

VB-M641VE/M640VE

The exterior size, specifications, external materials, are as follows.



- *1 Ceiling/Wall mount holes
- *2 Junction box fixing holes
- *3 Ceiling/Wall mount holes position
- *4 Junction box fixing holes position
- *5 Camera mounting holes

Specification

Dimensions	(ϕ x H) $\phi 180 \times 131$ mm ($\phi 7.09 \times 5.16$ in.) – Camera only (excluding Ceiling Plate)
Weight	
VB-M641VE	Approx. 1620 g (3.58 lb.)
VB-M640VE	Approx. 1590 g (3.51 lb.)

External Materials

Component Name	Material Abbreviation
(1) COVER, DOME	Polycarbonate resin (PC)
(2) CASE, UPPER	Die cast aluminum (ADC12)
(3) CASE, BOTTOM	Die cast aluminum (ADC12)
(4) COVER, CASE BOTTOM	Polycarbonate resin (PC)
(5) PACKING, CABLE	Silicone rubber
(6) PLATE, LATCH	Stainless steel plate (SUS304-CSP-1/2)
(7) PLATE, CEILING	Stainless steel plate (SUS304-CP)
External Color	Titanium White

– Service parts names used for component names