

Accessory Specifications

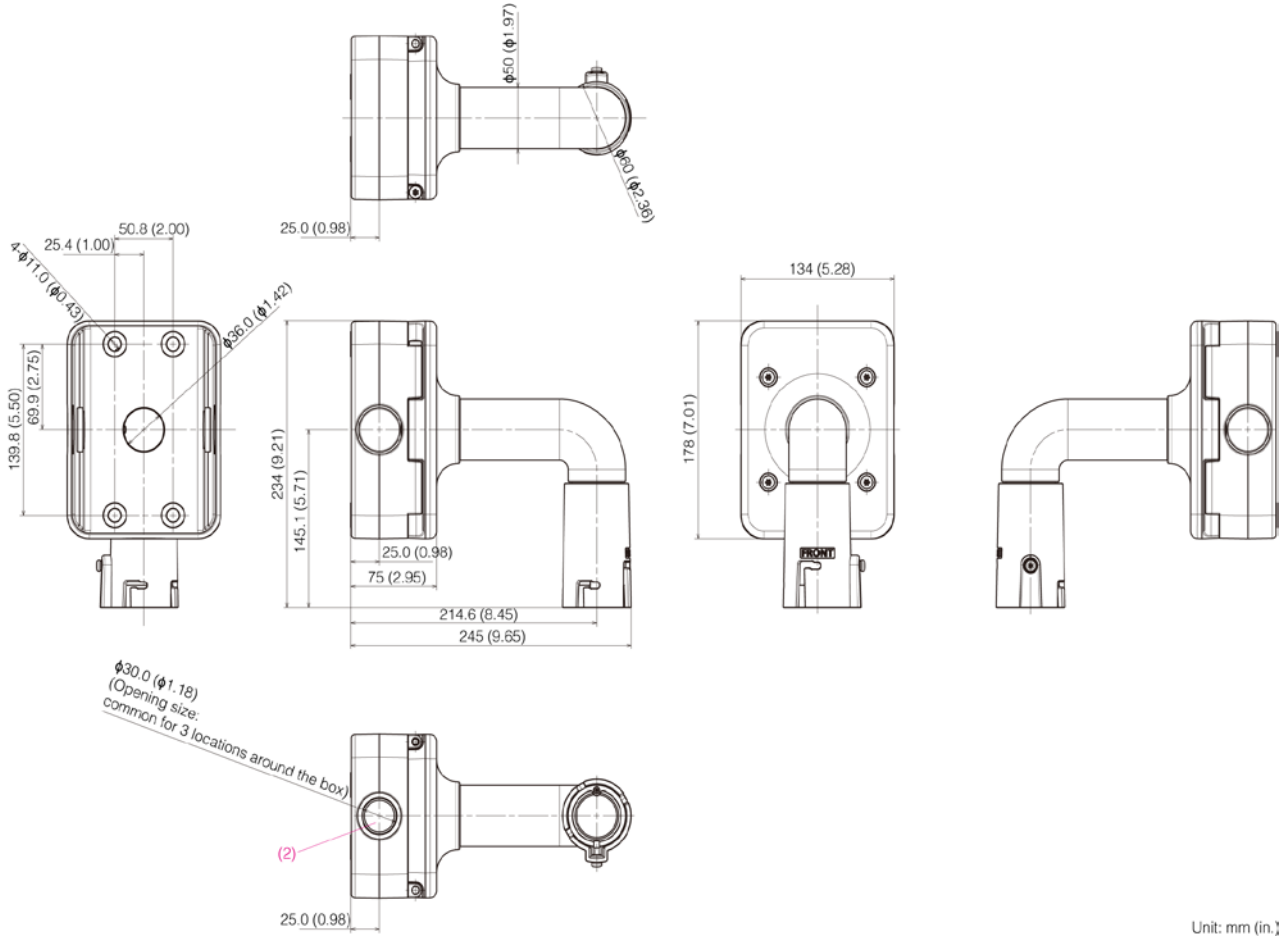
VB-R11VE

VB-R10VE

Wall Mounting kit

(WM10-VB)

The exterior size, specifications, external materials, are as follows.



Unit: mm (in.)

Specification

Dimensions	(H x W x D) 234 x 134 x 245 mm (9.21 x 5.28 x 9.65 in.)	
Weight	Approx. *** g (***) (lb.) (T.B.D.)	
Operating Environment	Temperature	Same as camera
	Humidity	Same as camera
Storage Environment	Temperature	Same as camera
	Humidity	Same as camera
Impact Resistance	IK10 (20J)	

Exterior Materials

Component Name	Material Abbreviation
(1) WALL MOUNT UNIT	Die cast aluminum (ADC12)
(2) B CAP (removable)	Silicone rubber
External Color	Titanium White (paint color)