

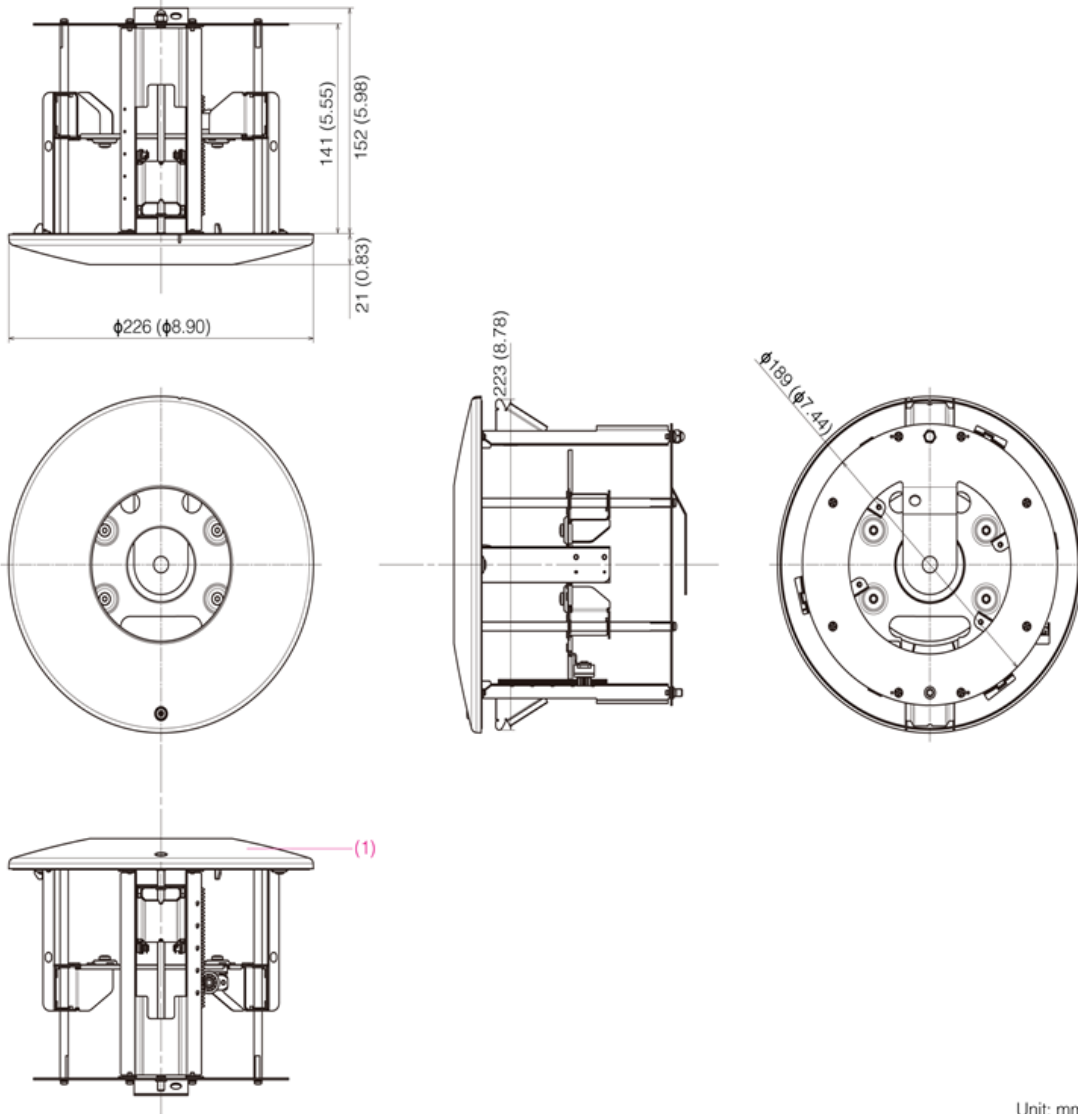
Accessory Specifications

VB-M641V

VB-M640V

Recessed ceiling Mounting Kit (SR640-S-VB)

The exterior size, specifications, external materials, are as follows.



Unit: mm (in.)

Specification

Dimensions	(ϕ x H) $\phi 226 \times 152$ mm ($\phi 8.90 \times 5.98$ in.)	
Weight	Approx. 1150 g (2.54 lb.)	
Operating Environment	Temperature	Same as camera
	Humidity	Same as camera
Storage Environment	Temperature	Same as camera
	Humidity	Same as camera

Exterior Materials

Component Name	Material Abbreviation
(1) COVER	Polycarbonate resin (PC)
External Color	Titanium White (resin color)