

# Accessory Specifications

VB-S30D

VB-S31D

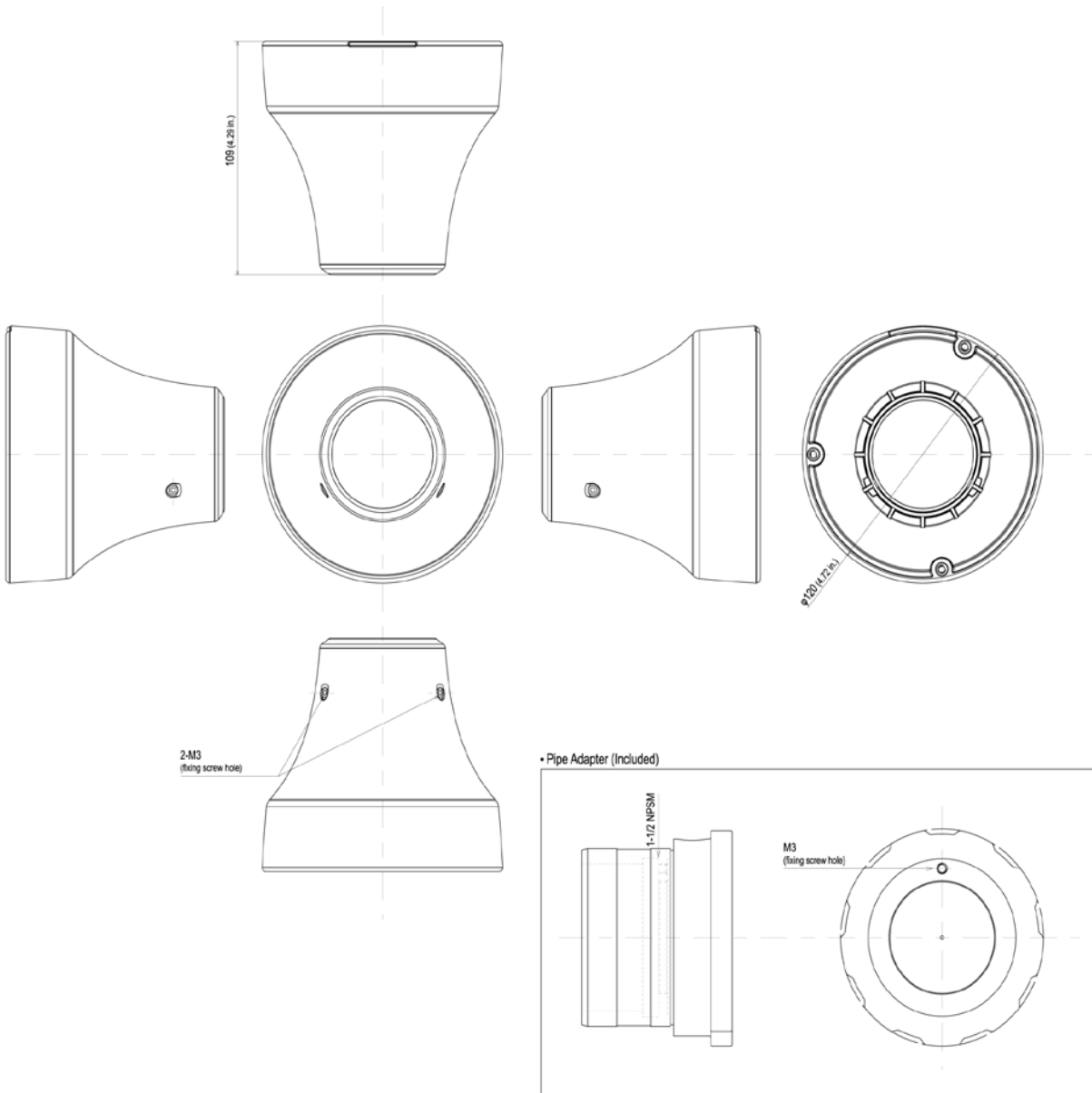
VB-S800D

VB-S805D

## Pendant Mounting Kit

(PC30-VB)

Dedicated accessory for high ceilings requiring the camera to be installed at the end of a drop pipe.



# Accessory Specifications

VB-S30D

VB-S31D

VB-S800D

VB-S805D

## Pendant Mounting Kit

(PC30-VB)

### Specification

Dimensions	( $\phi$ x H) $\phi$ 120 x 109 mm ( $\phi$ 4.72 x 4.29 in.)	
Weight	Approx. 250 g (8.9 oz.)	
Operating Environment	Temperature	Same as camera
	Humidity	Same as camera
Storage Environment	Temperature	Same as camera
	Humidity	Same as camera

### Exterior Materials

Component Name	Material Abbreviation
(1) CAP (S)	Polycarbonate resin (PC-G10%)
(2) Pipe Adapter	Die cast aluminum (ADC12)

– Service parts names used for component names

## Accessory Specifications

VB-S30D

VB-S31D

VB-S800D

VB-S805D

**Pendant Mounting Kit**

**(PC30-VB)**