

Accessory Specifications

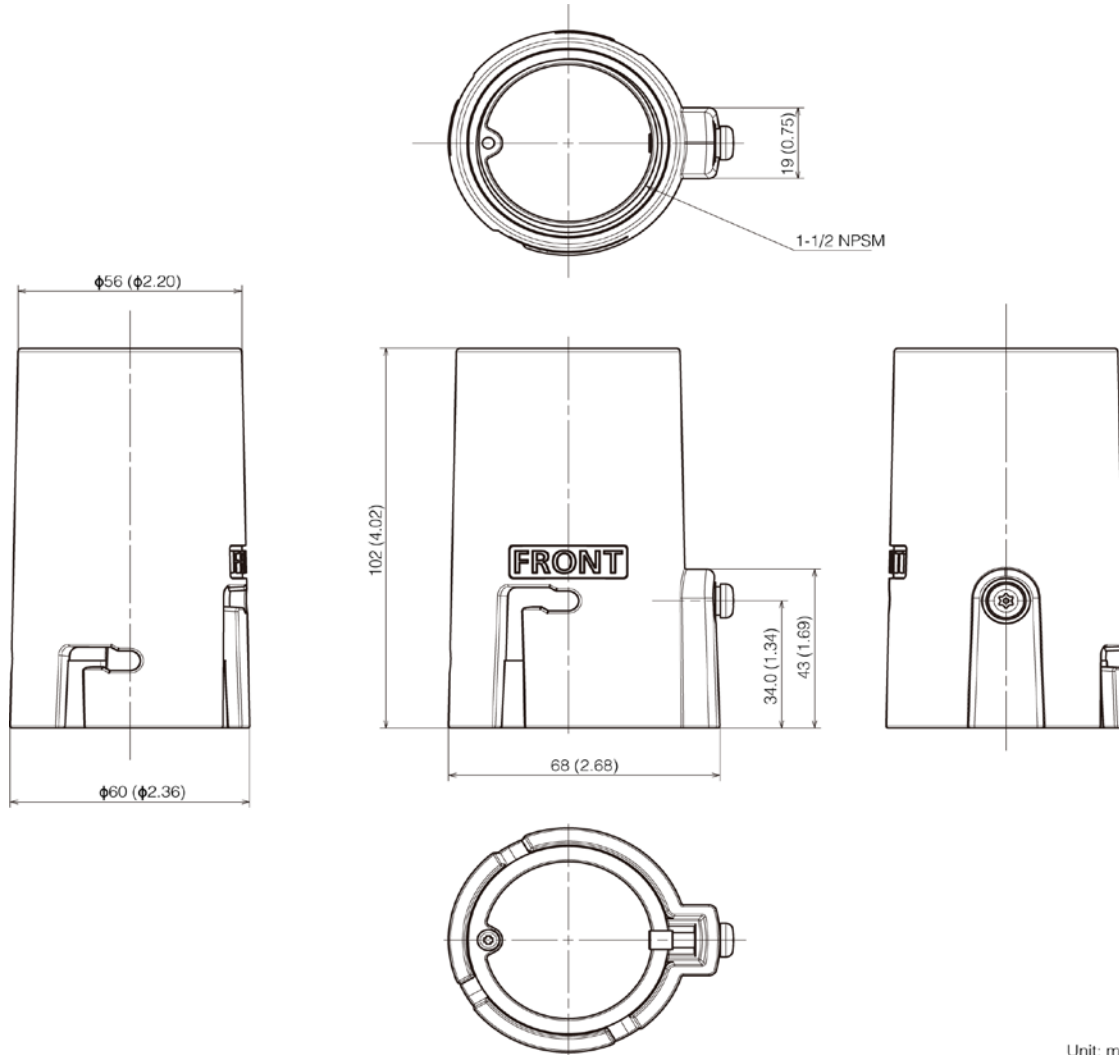
VB-R11VE

VB-R10VE

1.5inch Pipe Adapter

(PA10-15-VB)

The exterior size, specifications, external materials, are as follows.



Unit: mm (in.)

Specification		
Dimensions	(H x W x ϕ) 102 x 68 x ϕ 60 mm (4.02 x 2.68 x ϕ 2.36 in.)	
Weight	Approx. *** g (** oz.) (T.B.D.)	
Operating Environment	Temperature	Same as camera
	Humidity	Same as camera
Storage Environment	Temperature	Same as camera
	Humidity	Same as camera

Exterior Materials	
Component Name	Material Abbreviation
(1) PIPE UNIT	Die cast aluminum (ADC12)
External Color	Titanium White (paint color)