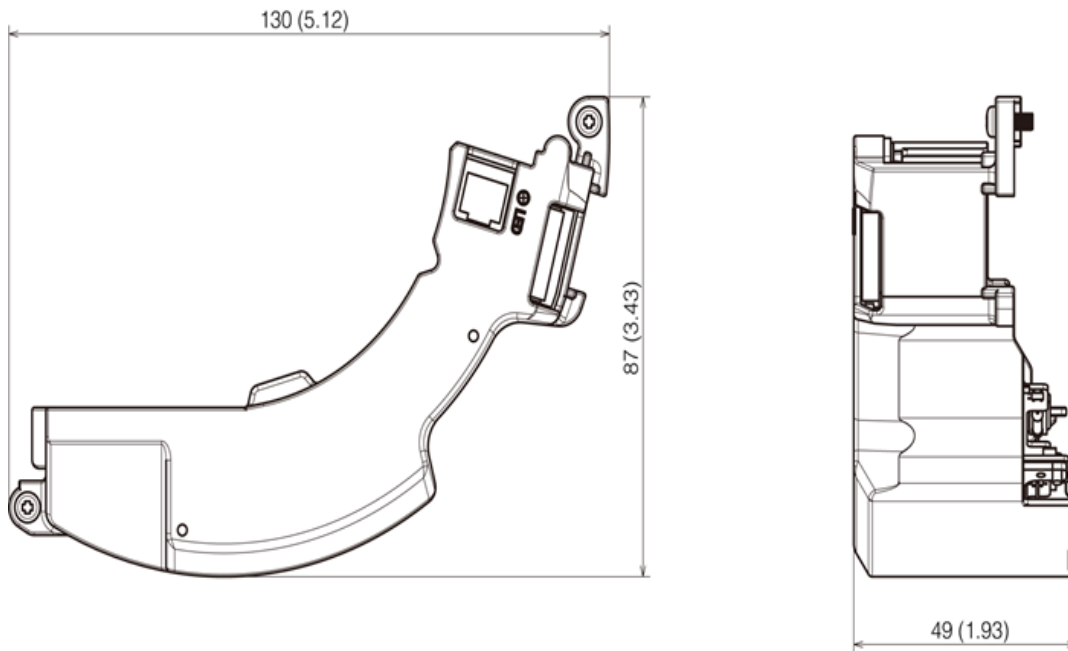


Accessory Specifications

VB-M641VE

Optional Heater Unit (HU641-VB)

The exterior size, specifications, external materials, are as follows.



Unit: mm (in.)

Specification

Dimensions		(H x W x D) 130 x 87 x 49 mm (5.12 x 3.43 x 1.93 in.)
Weight		Approx. 60 g (2.2 oz.)
Operating Environment	Temperature	Same as camera
	Humidity	Same as camera
Storage Environment	Temperature	Same as camera
	Humidity	Same as camera

Exterior Materials

Component Name		Material Abbreviation
(1)	COVER	Polycarbonate resin (PC)
External Color		Black (resin color)