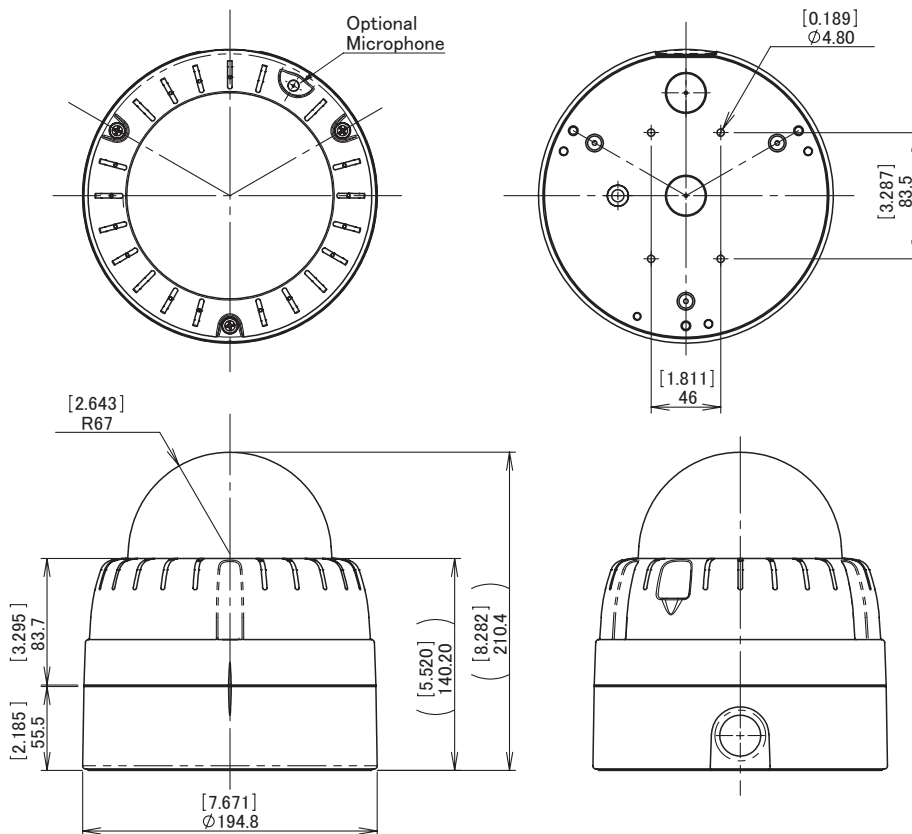


Unit: [inch]
mm



Indoor & Under Canopy Dome Housing

A-SWD5Z

6 digits registered model name(UL & PSE)

After 7 digits shows optional specifications

Capsule
C = Clear
T = Tinted

BH2 = Type 24VAC Blower and heater installed
BH12 = Type 12VDC Blower and heater installed
BH12(POE) = Type 12VDC Blower, heater and PoE Splitter installed in housing *1, *2
BH12(POE+M) = Type 12VDC Blower, heater and PoE Splitter installed in housing and Midspan are packed in product box. *1, *2

Microphone

Nothing = Nothing

M = Condenser Microphone *3, *4, *5

Specifications

Operating Environment	Indoor or Under Canopy Outdoor by using both Optional Wall Bracket A-SWD5ZWB and Optional Blower and Heater.
Operating Temperature	-20°C (-4°F)~+40°C (+104°F) under normal outdoor weather conditions by using Optional Wall Bracket A-SWD5ZWB and Optional Blower and Heater. We are unable to warrant the products which are installed indoor which is exposed to constant high temperature over 30°C (86°F).
IP Rate	IP66
Housing	Material = PC/ABS Color = Off-White (RAL9002 Similar) *Vandal Resistant M4 Screws x 7 pcs. & Tool Set Model A-VSM4TL is optional.
Capsule	Material = PC UL94 V-0 Thickness = 3mm (0.118") Light Loss : [C] = Clear = Almost zero [T] = Tinted = Approx. 75%
Weight	Approx. 1.1kgs (2.5 lbs) (1.4kgs (3.1lbs) with Blower and Heater)
Heater (Optional)	[BH 2] = 24VAC 25W [BH12] = 12VDC Input 25W Standard (Optional 6W/12W) [BH12 (POE)] [BH12 (POE+M)] = 12VDC Input 12W Standard (Optional 6W/25W) Auto by thermostat 4.4°C (40°F) = ON 16°C (60°F) = OFF
Blower (Optional)	[BH 2] = 24VAC Input [BH12] = 12VDC Input [BH12 (POE)] [BH12 (POE+M)] = 12VDC Input Manufacturer: Nidec Servo Corp. EUDC12D8 DC12V 0.04A 0.5W DC12V 0.04A 0.5Wt Auto by thermostat 35°C (95°F) = ON 27°C (80°F) = OFF
Inner Dia of 3/4" Cable Entrance	24mm (0.944") and 19mm (0.748) by using provided plastic bushing.
Input Terminal (Provided)	Sato Parts ML-4000-AP-2PGY (Acceptable Cable AWG16-26)
Microphone (Optional)	[M] = Condenser Microphone for MIC IN without Amplifier (3.5mm Monaural Mini Plug) *3, *4, *5
Recommended Screw	M4 Screw x 4 (Not included in product)
Standard & Compliance	RoHS, UL (File #E313815), CE

*1 Due to size and specification of camera splitter may not be installed in housing.

*2 As regards the specification of both Splitter and Midspan, you are requested to obtain our confirmation in advance before ordering.

*3 You may be annoyed by the noise of blower when it is on.

*4 You need to consult with us in advance when you need optional Microphone with Amplifier Model A-AUD1 for LINE IN.

*5 We are unable to take any responsibilities for the troubles such as an intrusion of privacy caused by the use of Microphone.

User's discretion is advised and User is required to abide by the local law.