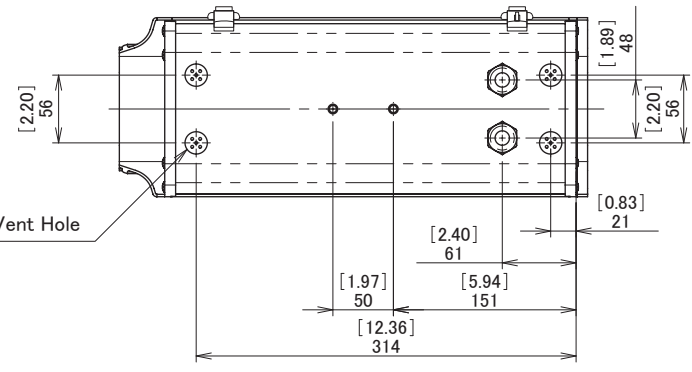
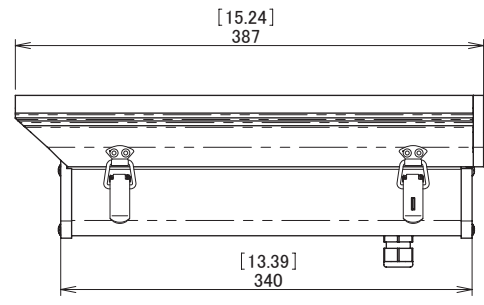
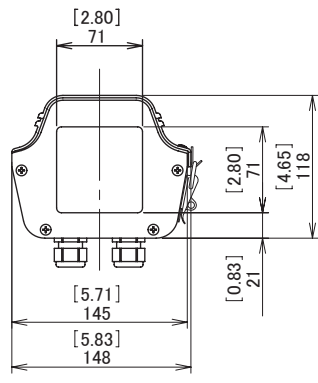


Unit: [inch]
mm



Vent Hole

Outdoor Housing

[Model Name for Housing Unit Only]

A-OH15 SET

[Model Name for Housing SET]

A-OH15

6 digits registered model name(UL & PSE) After 7 digits shows optional specifications

Blower and heater
 BH2 = Type 24VAC Blower and heater installed
 BH12 = Type 12VDC Blower and heater installed
 BH12(POE) = Type 12VDC Blower, heater and PoE Splitter installed in housing *1, *2
 BH12(POE+M) = Type 12VDC Blower, heater and PoE Splitter installed in housing and Midspan are packed in product box. *1, *2

Nothing = With Wall Bracket and Ceiling Adapter
 F = With Wall Bracket only
 P = With Wall Bracket and Stainless Belt A-SB20-1500MM for Pole Mount

Sunshield
 Nothing = Without Sunshield A-SY15
 Y = With Sunshield A-SY15

Material of Bracket (Wall Bracket/Ceiling Adapter)
 Nothing = Steel
 -S = Stainless SUS304

Housing Color
 Nothing = Standard Color (White)
 (OW) = Off-White
 (DB) = Dark Brown

"Optional" Two-Coat system for Metal Parts(Bracket) for corrosion protection *3
 Nothing = Standard One Coat by UV resistant polyester powder coat
 -TC = "Optional" Two-Coat

Specifications

Operating Environment	Outdoor	
Maximum Wind Load	50m(167ft)/sec (Products will not be destroyed.) *Safety of 50m(167ft)/sec was confirmed by actual wind load test. *Safety of 60m(200ft)/sec was confirmed by our factory test data.	
Operating Temperature	-20°C (-4°F)~+40°C (+104°F) with Optional Blower and Heater.	
IP Rate	IP33 Standard "4 Vent Holes Open" (Vent Plug VP-625 + Sponge Filter) IP43 *4	
Housing	Aluminum Powder Coat Finish Snap Fasteners = SUS304	
Front/End Cap	PC/ABS UL94 V-0	
Window	Acrylic	
Heater (Optional)	[BH 2] = 24VAC 25W [BH12] = 12VDC Input 25W Standard (Optional 6W/12W) [BH12 (POE)] [BH12 (POE+M)] = 12VDC Input 12W Standard (Optional 6W/25W) 4.4°C (40°F) = ON 16°C (60°F) = OFF	
Blower (Optional)	[BH 2] = 24VAC Input [BH12] = 12VDC Input [BH12 (POE)] [BH12 (POE+M)] = 12VDC Input Nidec Servo Corp. EUDC12D8 DC12V 0.04A 0.5W 35°C (95°F) = ON 27°C (80°F) = OFF	
Weight	Approx.1.5kgs (3.3 lbs) Approx.1.8kgs (4 lbs) with Blower & Heater	
Housing Color	A-OH15 Standard Color = White (Housing) Black (Front/End Cap) A-OH15 (OW) = Off-White (RAL9002 Similar) A-OH15 (DB) = Dark Brown (Munsell 5YR2/1.5 Similar)	
Acceptable Camera Size (Basic Size Data)	Length 310mm (12.2") w/o Blower/heater Length 275mm (10.8") with Blower/heater Width 95mm (3.74") Height 100mm (3.9") *As regards width, it becomes narrower from the middle of height.	
Dia of 2 Cable Holes	15mm (0.59") with Bushing 22mm (0.86") without Bushing	
Standard & Compliance	RoHS, UL (File #E313815), CE	

*1 Due to size and specification of camera splitter may not be installed in housing.
 *2 As regards the specification of both Splitter and Midspan, you are requested to obtain our confirmation in advance before ordering.
 *3 "Optional" Two-Coat system comprises 1coat = powder coating primer (Epoxy base) and Top coat = UV resistant (Polyester base) powder coating based on our standard.
 *4 When 4 Vent Holes "Closed" by silicon etc., IP Rate will be IP43.
 Order of Dome Plug DP-625 to close Vent Holes shall be treated as Special Order(Optional) with additional cost.

